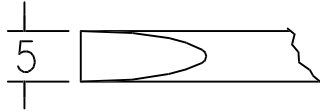


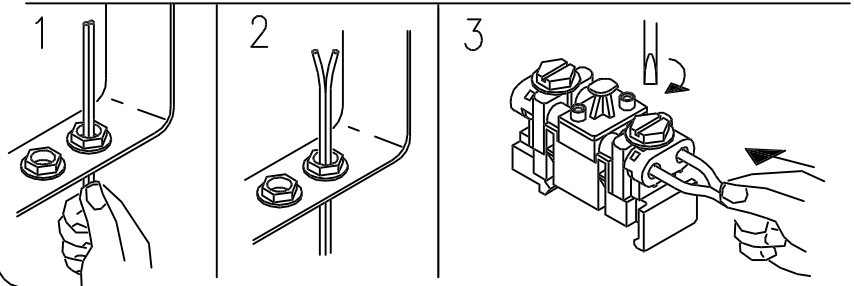
DO NOT STRIP THE WIRE

DO NOT OVERTURN THE SCREW
WHEN IT REACHES THE END

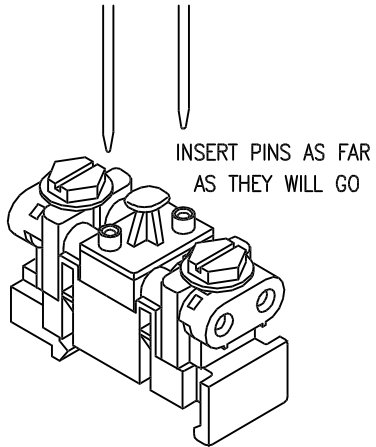
USE A 5 mm. SCREWDRIVER



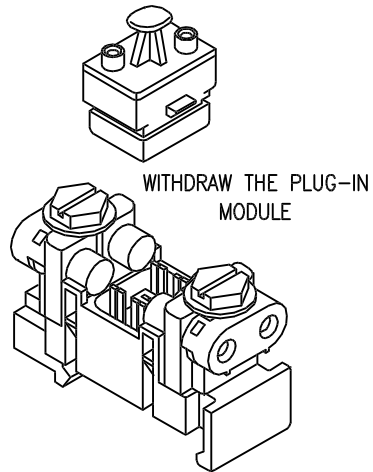
WIRING



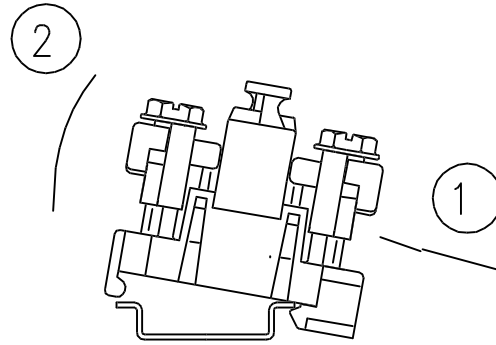
TESTING WHILST OPERATING



DISCONNECTION AND TESTING ON BOTH SIDES



INSTALLATION



REMOVAL

