

Connection Box

TELECOM OUTSIDE PLANT

The QDF 300 series connection box comprises a moulded base and cover. The cover is retained by large head, quick release screws and gives an internal clearance height of 90 mm.

A height adjustment spacer is available to increase the internal clearance by 20 mm to accommodate protector modules and other QDF accessories. It may be ordered as an accessory for new installations or for retrofit at a later date as applications expand or change.

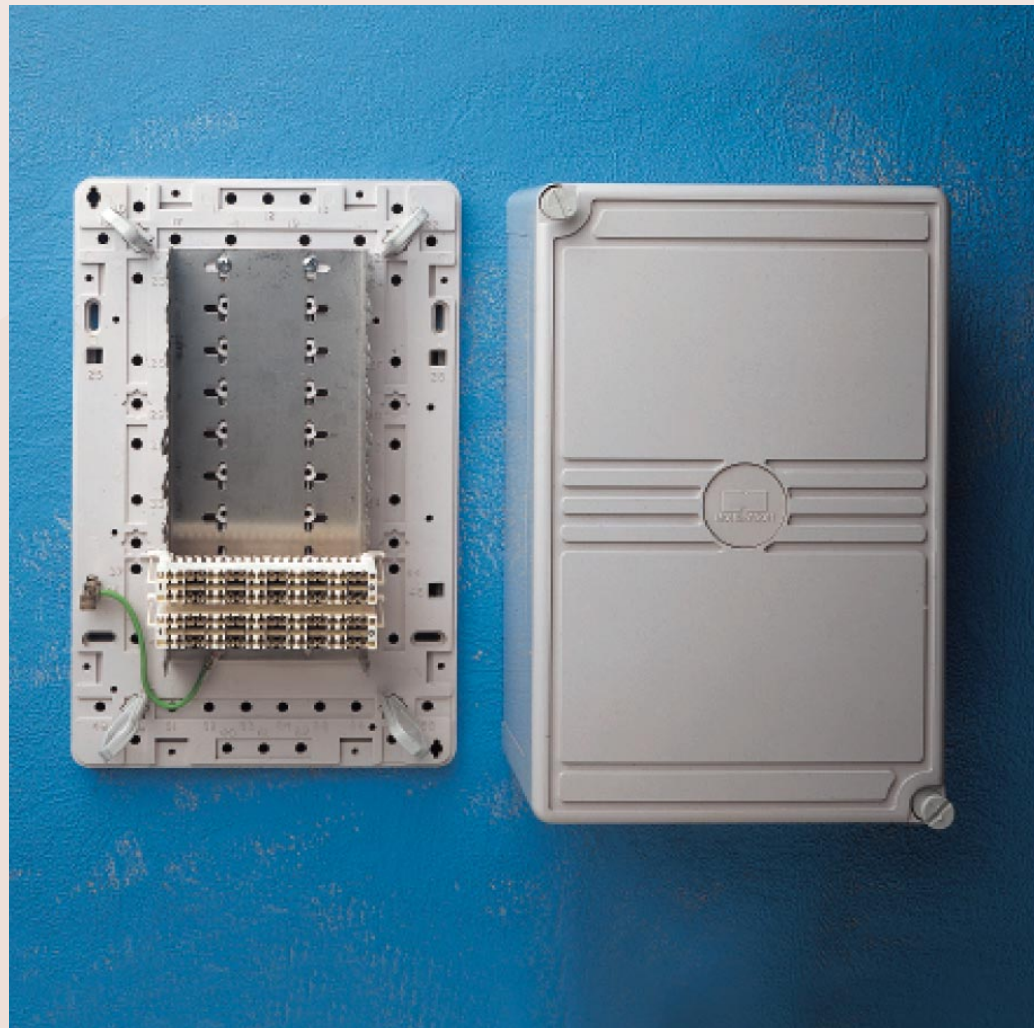
The box will accommodate a 5 or 10-position mounting bracket, and either the 11 mm or 30 mm height versions may be selected.

It is suitable for both QDF-E and QDF-I magazines, either alone or in combination.

The box end and side panels are removable for cable entry and cross-jumpering.

This feature also means that boxes can be stand-alone or used in multiples with the base units mounted side-by-side or end-to-end with appropriate side or end panels removed from the covers.

The box is available with or without mounting bracket, height adjustment spacer, earth terminal and jumper rings.



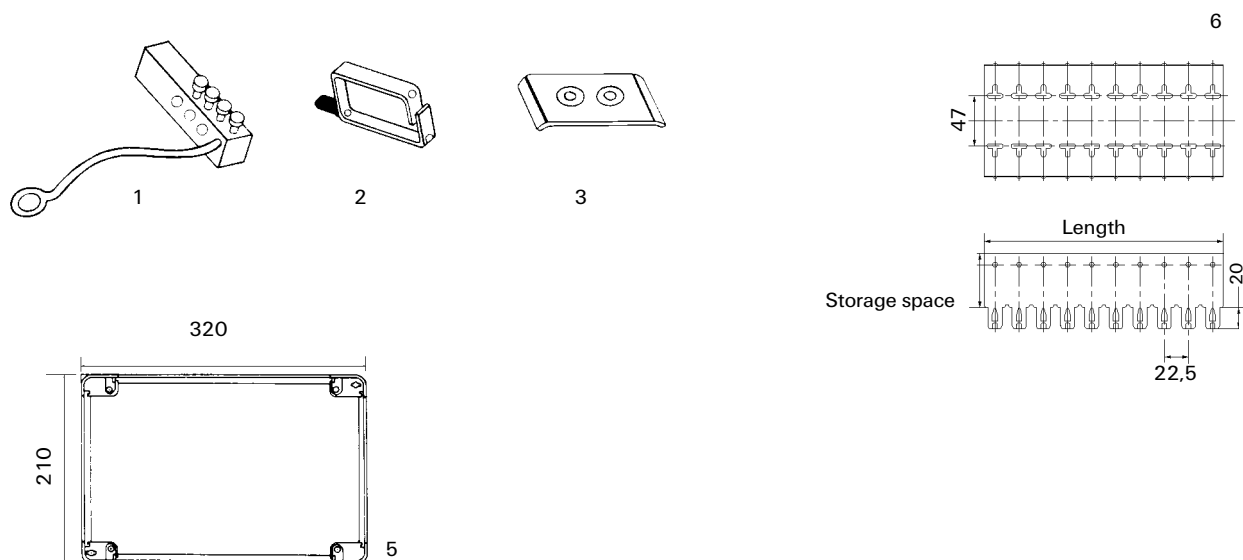
QDF 300

QDF 300

Ordering Information and Dimensions

Description	Outside Dimensions	Catalogue Number	PCN Number
Empty box	320 x 210 x 110 mm	QDF-300	622259-000
Box plus height adjustment spacer	320 x 210 x 140 mm	QDF-300S	744615-000
Box plus 10-position, 30 mm mounting bracket	320 x 210 x 120 mm	QDF-301A	410712-000
Box plus 10-position, 30 mm mounting bracket and height adjustment spacer	320 x 210 x 140 mm	QDF-301SA	059615-000

QDF 300/301 Accessories (dimensions in mm)



Description	Catalogue Number	PCN Number
1 Earth terminal assembly	QDF-BCA-01	460473-000
2 Jumper rings (10 per bag)	QDF-BCA-02	951787-000
3 4 base clamps and 2 screws (for fixing boxes together)	QDF-BCA-03	102441-000
4 Cable tie mount (50 per bag)	QDF-BCA-04	981391-000
5 Height adjustment spacer (for increasing height of cover)	QDF-BCA-07	599060-000
6 Mounting brackets:		
Positions	Storage Space (mm)	
5	11	QDF-11-05A 931746-000
10	11	QDF-11-10A 394700-000
5	30	QDF-30-05A 631870-000
10	30	QDF-30-10A 999504-000

Tyco and QDF are trademarks of Tyco International.

The information given herein, including drawings, illustrations and schematics which are intended for illustration purposes only, is believed to be reliable. However, Tyco Electronics makes no warranties as to its accuracy or completeness and disclaims any liability in connection with its use. Tyco Electronics' obligations shall only be as set forth in Tyco Electronics' Standard Terms and Conditions of Sale for this product and in no case will Tyco Electronics be liable for any incidental, indirect or consequential damages arising out of the sale, resale, use or misuse of the product. Users of Tyco Electronics products should make their own evaluation to determine the suitability of each such product for the specific application.

Mondragon Telecommunications

Polígono industrial Mediterráneo
C/. la Fila, parcela 1
46550 Albuixech-Valencia, España
Tel.: 34-96-141 70 72
Fax: 34-96-141 74 15

Tyco Electronics Raychem NV

Telecom Outside Plant
Diestsesteenweg 692
3010 Kessel-Lo, Belgium
Tel.: 32-16 351 011
Fax: 32-16 351 697
www.tycoelectronics.com

Tyco Electronics Corporation

8000 Purfoy, Rd.
Fuquay-Varina, NC 27526, USA
Tel.: 1-919-557 8600
Fax: 1-919-557 8404